

Installation examples



Top hinged windows



Top hinged windows, two Synchro actuators



Side hinged windows



Roof windows



Parallel windows



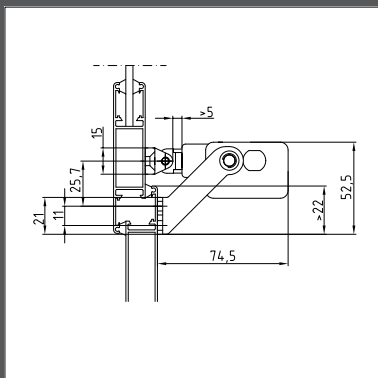
Drawbridge windows



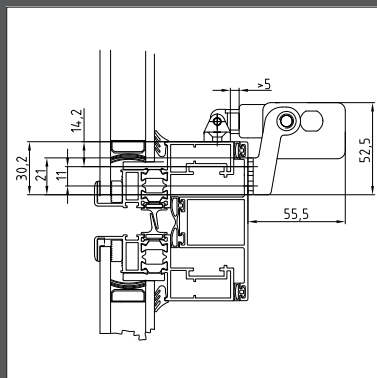
Bottom hinged windows



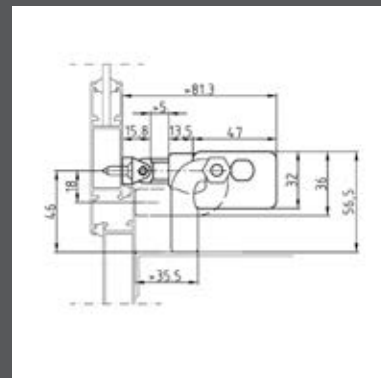
Side hinged windows



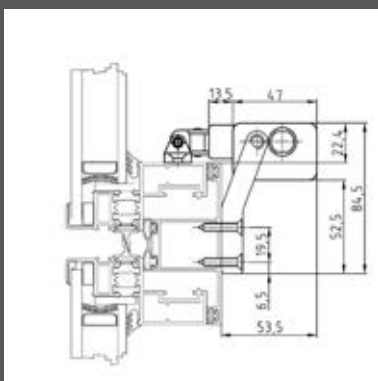
Front installation with long slim bracket



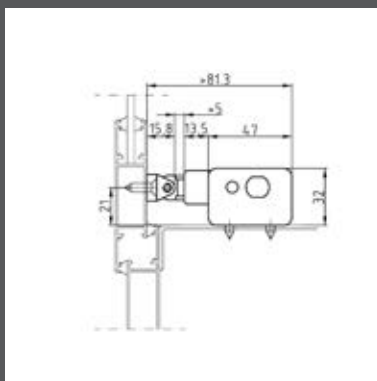
Concealed vent with short slim bracket



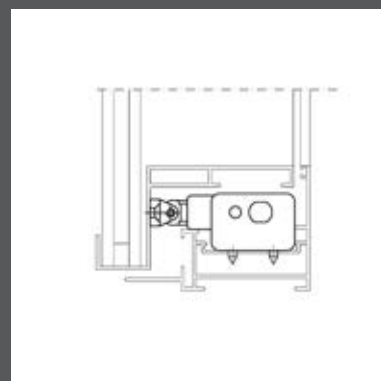
With or without windowsill, with die-cast bracket



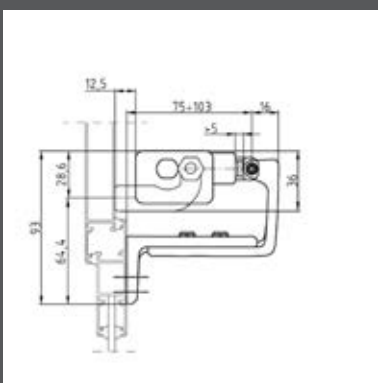
With long bracket kit



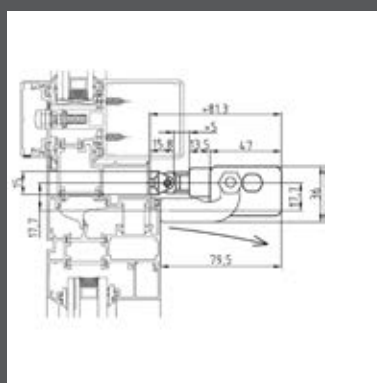
On windows with windowsill



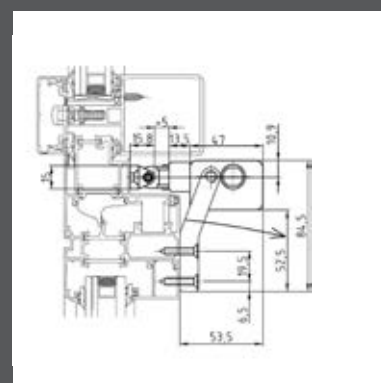
Inside a curtain wall frame



On the frame with adjustable "Z" bracket



On the vent with die-cast bracket



On the vent with long bracket kit

⚠ The instructions for a safe installation are included in the section "SECURITY WARNINGS"

SPECIFICATION PROSPECTS

Electric chain actuator Ultraflex Control Systems named Quasar with chain in double stainless steel links.

Voltage supply: from 100 to 240 Vac or 24 Vdc – Electronic limit stop; electronic stop in the intermediate positions in case of overload. Casing in painted die-cast aluminium with very small section (47x32 mm).

Electric chain actuator Ultraflex Control Systems named Synchro-Quasar with chain in double stainless steel links. Suitable for mounting more than one actuators (max 4 actuators) on the same vent: integrated speed synchronization

Voltage supply: from 100 to 240 Vac or 24 Vdc – Electronic limit stop; speed control; electronic stop in the intermediate positions in case of overload. Casing in painted die-cast aluminium with very small section (47x32 mm).

When "free potential open/close feedback" is required, indicate suffix "F-SIGNAL"