

SUPERMASTER

Chain actuator - Force in push action 400 N - Stroke 450-600-800 mm



MAIN FEATURES

- The longest stroke (800 mm) and the highest force (400 N): it solves the problems to operate very heavy vents and the necessity of wide opening without taking up space inside the room (800 mm only for bottom hinged windows).
- Double link chain.
- Red led light placed on the actuator to signal the close position.

INSTALLATION REMARKS

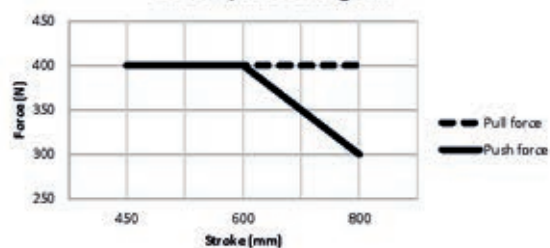
- Minimum window height: 900 mm for 450 mm stroke, 1200 mm for 600 mm stroke, 1600 mm for 800 mm stroke.
- For windows without windowsill a fixing bracket (sliding within the dovetail slide) is available for an easy installation.
- In case of vents with four-bar hinges, please contact our Technical Dept.
- Supplied with 2 m cable (450-600 mm), 3 m cable (800 mm).
- For installation of two **SUPERMASTER AC** on the same vent it is available the Coupling Control unit CP230, part No. 41089V. (See CONTROL ACCESSORIES section)



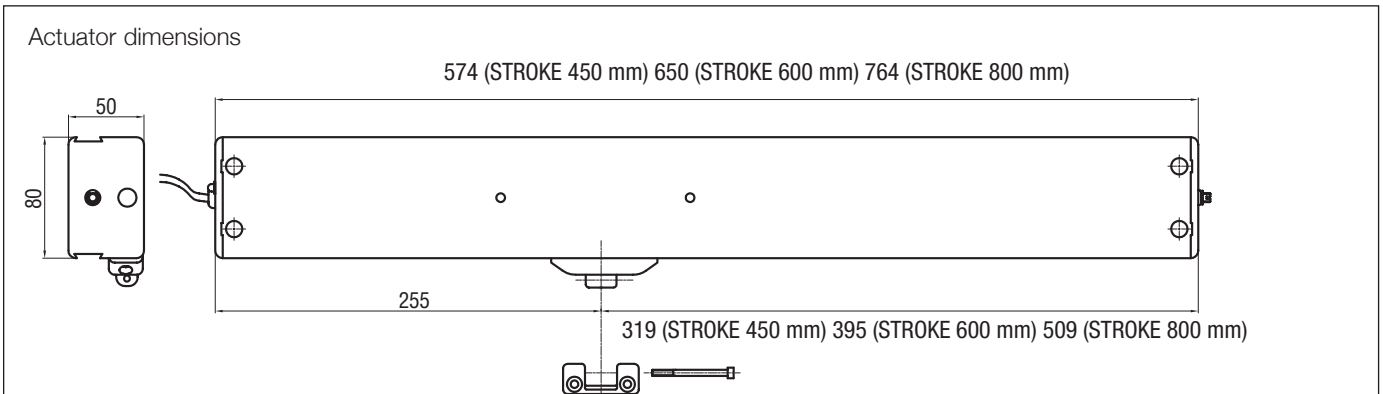
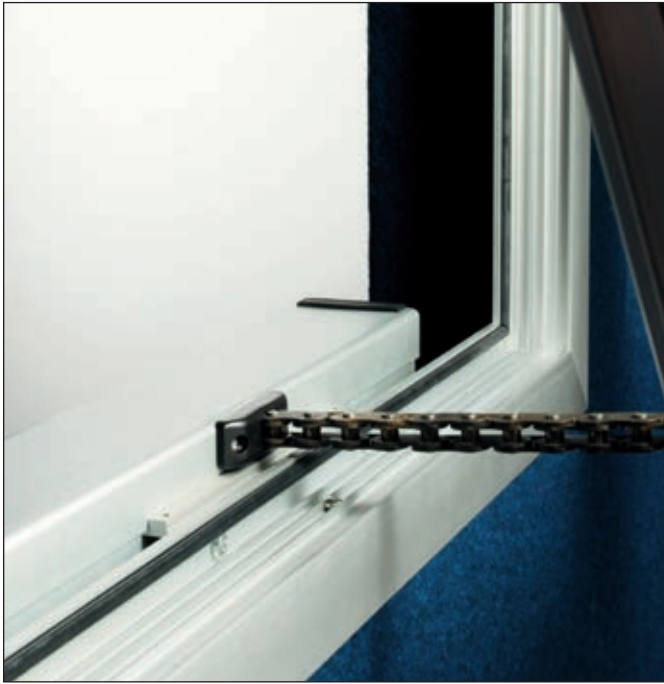
24 Vdc version is suitable for installation on **Smoke and Heat Exhaust Ventilators (SHEV)** in conformity to European Standard **EN 12101-2**, tested by Istituto Giordano.



Stroke/force diagram



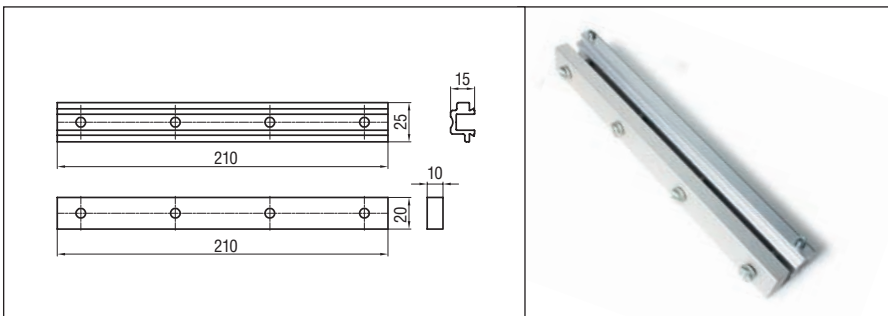
	SUPERMASTER 230 V AC			SUPERMASTER 24 V DC		
STROKE	450 - 600 - 800 mm			450 - 600 - 800 mm		
VOLTAGE SUPPLY	230 Vac \pm 10%			24 Vdc \pm 10%		
ELECTRIC CONNECTION	3 wires + earth			2 wires + signaling		
OPERATION	-			by polarity inversion		
FORCE (in push action)	400 N (300 N for 800 mm stroke)			400 N (300 N for 800 mm stroke)		
FORCE (in pull action)	400 N			400 N		
SPEED	~23 mm/s			~20 mm/s		
CURRENT ABSORPTION (with max load)	0,8 A			2 A		
PARALLEL CONNECTION	Yes			Yes		
LIMIT STOP	Micro switches			Micro switches		
SAFETY STOP	Thermic			Electronic		
FEEDBACK SIGNAL	-			Open/Close		
PROTECTION CLASS	IP20			IP20		
PART No.						
STROKE	450 mm	600 mm	800 mm	450 mm	600 mm	800 mm
SILVER ANODIZED	40462T	40452P	40518U	40506L	40461R	40469H
DARK BROWN ANODIZED	40465Z	40464X	40753T	40509T	40467D	40470S
WHITE PAINTED RAL 9010	40466B	40454U	40774O	40507N	40468F	40471U



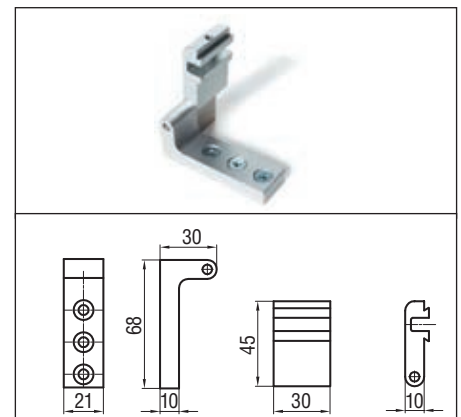
SPECIFICATION PROSPECTS

Electric chain actuator Ultraflex Control Systems named Supermaster with double link chain. Force 400 N. Strokes: 450-600-800 mm. Voltage supply 230 Vac or 24 Vdc. Limit stop by micro switches and thermal protection (230 Vac version) or electronic safety stop (24 Vdc version). Parallel connection. Casing in silver anodized or painted aluminium. The 230 Vac version and the 24 Vdc version are conform to 2004/108/CE directive, the 230 Vac version is also conform to 2006/95/CE.

Accessories



Sliding aluminium bracket with shim part No. 40460N



Pivoting brackets kit part No. 40560T

Installation examples



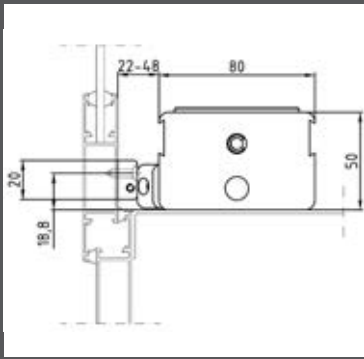
Top hinged windows



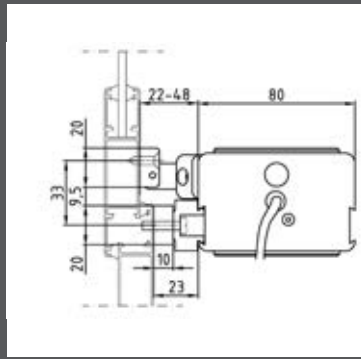
Side hinged windows



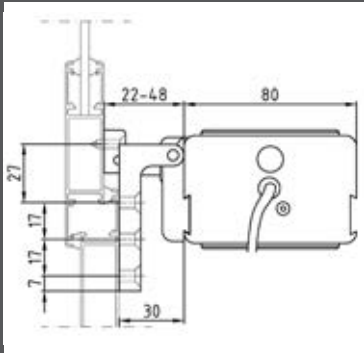
Roof windows



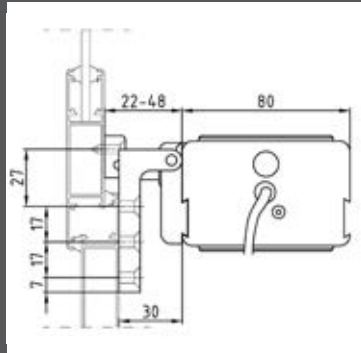
On windows with windowsill without brackets



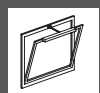
Without windowsill with bracket part No. 40460N



On the frame with pivoting brackets part No. 40560T



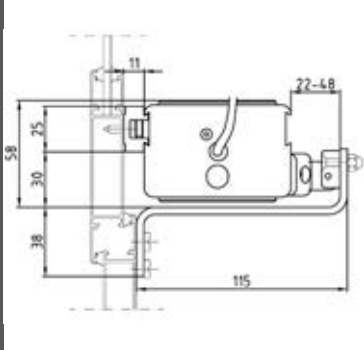
On windows with windowsill with pivoting brackets part No. 40560T



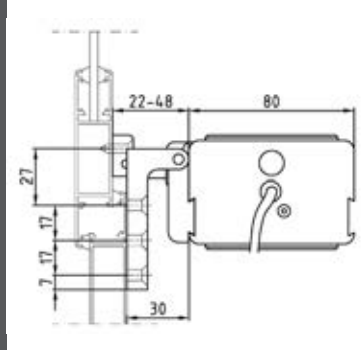
Bottom hinged windows



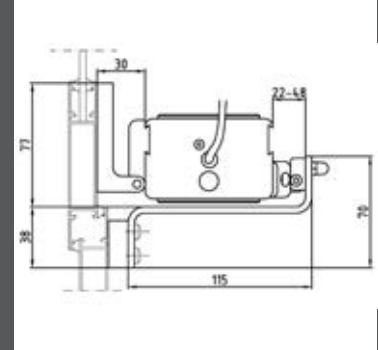
Side hinged windows



On the frame with bracket or bottom hinged window part No. 40472W



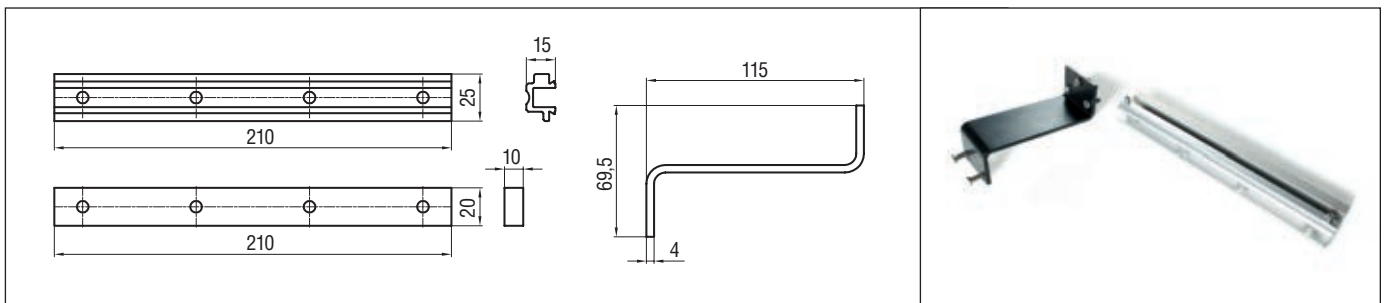
On the vent with the pivoting bracket part No. 40560T



On the frame with the pivoting bracket part No. 40560T and bracket part No. 40472W

The instructions for a safe installation are included in the section "SECURITY WARNINGS"

Accessories



Sliding aluminium steel bracket with shim and bottom hinged painted steel bracket part No. 40472W